

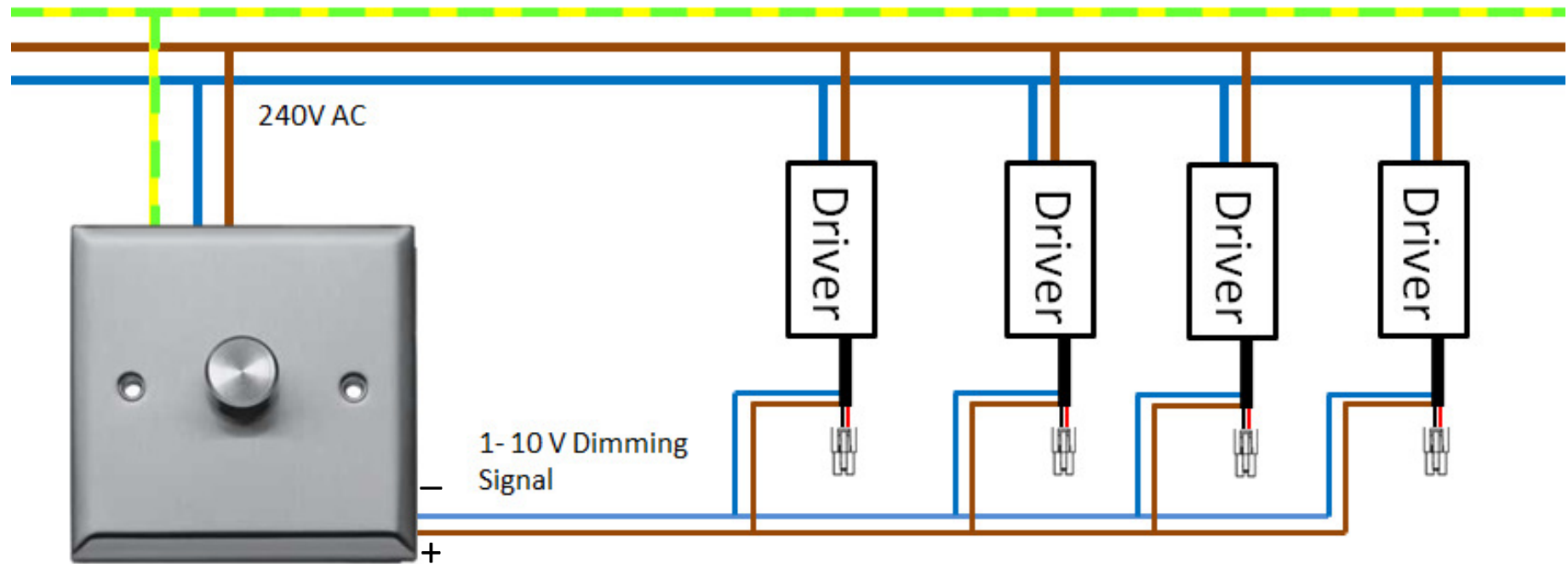
Driver Model	DC input to DRIVER ONLY	Use with Panel type	Drivers required QTY	Output mA	Output Volts	Mark	CLASS	Max operating temp.
PCM010-035-1	100VAC ~277VAC	FP3030W010-1	1	350mA	24VDC ~28VDC	SELV	2	50°C
		FP3030N010-1	1					
		FP3030C010-1	1					
PCM020-060-1	100VAC ~277VAC	FP3060W020-1	1	600mA	24VDC ~36VDC	SELV	2	50°C
		FP3060N020-1	1					
		FP3060C020-1	1					
PCM045-120-1	100VAC ~277VAC	FP6060W040-1	1	1200mA	24VDC ~36VDC	SELV	2	50°C
		FP6060N040-1	1					
		FP6060C040-1	1					
		FP6060W045-1	1					
		FP6060N045-1	1					
		FP6060C045-1	1					
		FP3012W040-1	1					
		FP3012N040-1	1					
		FP3012C040-1	1					
		FP3012W045-1	1					
		FP3012N045-1	1					
		FP3012C045-1	1					
		FP6012W080-1	2					
		FP6012N080-1	2					
		FP6012C080-1	2					
PCM055-150-1	100VAC ~277VAC	FP6060W055-1	1	1500mA	24VDC ~36VDC	SELV	2	50°C
		FP6060N055-1	1					
		FP6060C055-1	1					
		FP3012W055-1	1					
		FP3012N055-1	1					
		FP3012C055-1	1					

Turn off power supply for all stages of product installation

Do not connect Panel directly to mains supply. Always use the correct Optoma LED Driver



1. Must be installed by a qualified electrician in accordance with the latest IEE, local regulations and codes.
2. It is the responsibility of the contractor, installer, purchaser and end user to ensure correct use in accordance with local regulations and law.
3. Ensure correct fasteners when mounting on ceiling or walls.
4. Do not cover with thermal insulation.
5. Dry use only



Push = ON / OFF

Turn = Dimming

