

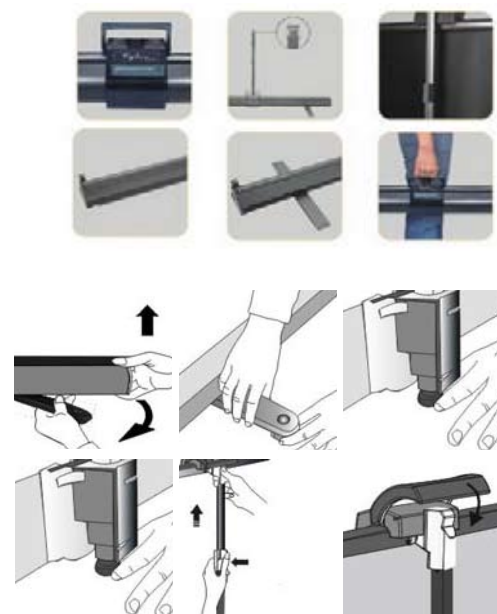
PORTABLE LIFT



MODEL NAME	DP-3072MWL	DP-3084MWL	PD-9080MWL	DP-9092MWL
Format	4:3	4:3	16:9	16:9
Gain	1.0	1.0	1.0	1.0
Screen Material	Matte White	Matte White	Matte White	Matte White
Viewing Size (wxh) (mm)	1460 x 1100	1707 x 1280	1770 x 995	2030 x 1145
Diagonal Viewing (Inch)	72	84	80	92
Black Border R & L (mm)	35	35	28	28
Black Border Bottom (mm)	642	800	1018	820
Black Border Top (mm)	35	25	25	25
Weight (Kgs)	5.2	8.0	6.1	7.9
Case Dimensions	1620 x 60.19 x 77	1867 x 60.19 x 77	1930 x 60.19 x 77	2190 x 60.19 x 77

This unique, portable screen is easy to use and very stable with high quality alloy casing and self standing format. The Panoview Pull Up is an ideal screen for travelling, whether it's from room to room or around the country.

Panoview MWL screens are available in both business presentation (4:3) and home cinema (16:9) formats. These screens are also great for rental companies were you're unable to mount a screen to the wall or a ceiling.



During use, two support legs which are otherwise hidden conveniently slide out from under the casing. The support legs come with height adjustable floor stands for use on uneven surfaces. For additional vertical stability, the support bar comes with an additional height adjustable floor stand.

The patented one-way lock allows the back support to be fully secure and easy adjustable. The multi-purpose handle is not only used for pulling and retracting the screen, but it is also used for securing the screen on the support bar. its perfect fit prevents the screen from falling or shifting positions.

Introducing Panoview Screens

Panoview offer a wide selection of quality front projection screens suitable for any situation, from small meeting to large conference rooms and great for home cinema applications.

All Panoview screens are built to a high standard and are rigorously checked and tested throughout the production process to ensure the highest possible build quality and finish.

Panoview's unrivalled understanding of both the market place and emerging technologies has allowed us to utilize our expertise to further expand our product offering to cater for every requirement, whilst still delivering great value.

The screens are available in several styles including wall/ceiling mountable manual pull-down and electric with In-Site I/R, fixed frame and portable lift all in Matte White 1.0 gain.

Panoview screens are available in a wide range of sizes and styles that will fit into any home and lifestyle, making them the ideal partner for any projector.

* Gain Explained

Gain is a measurement of the reflectivity of any screen or projection surface. The gain number represents the ratio of the light that is reflected from the screen as compared to the light reflected from a standard white surface. A screen with a gain of 1.0 will reflect the same amount of light as that from a white board. Higher gain levels are not always necessarily better for all situations. For example, with a high gain screen the viewing angle is decreased. This means the image may not appear uniformly bright from angles outside the viewing area.. High gain screens are best used in environments where ambient light is an issue and projector positioning is conducive to benefitting from a high gain surface.



Optoma

Optoma Europe Limited
42 Caxton Way, Watford Business Park, Watford, Hertfordshire. WD18 8QZ
Tel: +44 (0) 1923 691800 Fax: +44 (0) 1923 691888

www.optoma.eu

Panoview
Professional
Projection Screen

MANUAL PULL-DOWN (PMS)



MODEL NAME	DS-3084PMS	DS-3100PMS	DS-9092PMS	DS-9084PMG
Format	4:3	4:3	16:9	16:9
Gain	1.0	1.0	1.0	1.0
Screen Material	Matte White	Matte White	Matte White	Matte White
Viewing Size (wxh) (mm)	1710 x 1280	2030 x 1520	2030 x 1145	1860 x 1045
Diagonal Viewing (Inch)	84	100	92	84
Black Border R & L (mm)	40	50	92	40
Black Border Bottom (mm)	30	40	50	35
Black Border Top (mm)	80	80	45	300
Weight (Kgs)	10.7	11.6	11.6	10.0
Case Dimensions	1897 x 78 x 79 (Including Brackets)	2228 x 78 x 79 (Including Brackets)	2228 x 78 x 79 (Including Brackets)	2004 x 78 x 79 (Including Brackets)

MANUAL PULL-DOWN (PMG)



MODEL NAME	DS-9106PMG	DE-3072EGA	DE-3100EGA	DE-3120EGA	DE-9072EGA	DE-9092EGA
Format	16:9	4:3	4:3	4:3	16:9	16:9
Gain	1.0	1.0	1.0	1.0	1.0	1.0
Screen Material	Matte White	Glass-Fibre Matte White	Glass-Fibre Matte White	Glass-Fibre Matte White	Glass-Fibre Matte White	Glass-Fibre Matte White
Viewing Size (wxh) (mm)	2340 x 1320	1460 x 1100	2030 x 1524	2340 x 1755	1594 x 896	2030 x 1145
Diagonal Viewing (Inch)	106	72	100	120	72	92
Black Border R & L (mm)	47	30	50	47	50	50
Black Border Bottom (mm)	45	20	40	45	35	40
Black Border Top (mm)	300	80	80	80	300	300
Weight (Kgs)	14.0	8.5	12.2	15.3	7.3	11.8
Case Dimensions	2537 x 78 x 79 (Including Brackets)	1666 x 95.4 x 90.4	2236 x 95.4 x 90.4	2606 x 95.4 x 90.4	1799 x 95.4 x 90.4	2236 x 95.4 x 90.4

MOTORISED (EGA)



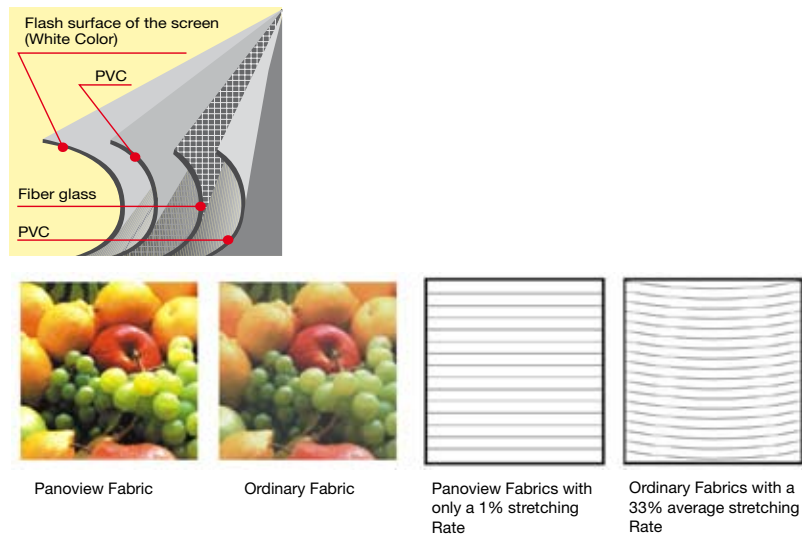
MODEL NAME	DE-9106EGA	DE-9120EGA	DE-3100EGS	DE-9092EGS	DE-9106EGS
Format	16:9	16:9	4:3	16:9	16:9
Gain	1.0	1.0	1.0	1.0	1.0
Screen Material	Glass-Fibre Matte White	Glass-Fibre Matte White	Glass-Fibre Matte White	Glass-Fibre Matte White	Glass-Fibre Matte White
Viewing Size (wxh) (mm)	2340 x 1320	2656 x 1494	2030 x 1520	2030 x 1145	2340 x 1320
Diagonal Viewing (Inch)	106	120	100	92	106
Black Border R & L (mm)	50	50	50	50	47
Black Border Bottom (mm)	40	40	55	55	55
Black Border Top (mm)	300	300	80	300	300
Weight (Kgs)	13.3	14.8	13.4	15.0	16.8
Case Dimensions	2661 x 95.4 x 90.4	2983 x 95.4 x 90.4	2337 x 78 x 79 (Including Brackets)	2337 x 78 x 79 (Including Brackets)	2647 x 78 x 79 (Including Brackets)

MOTORISED (EGS)

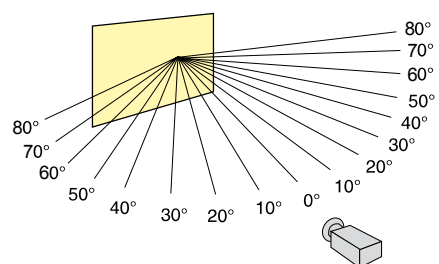
Panoview's matte white fabric is composed of 4 different layers, including a sheet of weaved fiberglass which helps stop static electricity and most importantly prevent wrinkles and waves. The screen fabric consists of a special material that helps prevent the loss of light, making it compatible with virtually every projector.

The fabrics are designed to be fire, water, and mold resistant and can be cleaned if necessary. The outside surface of the matte white screen has microdots that are made with PVC technology. This surface helps with creating the best possible reflection, while new advances in screen technology helps keep our matte white screen flat and retain its shape and effectiveness over longer periods of time.

The best products can only be made with the best materials and the highest grade of screen fabrics. Panoview utilizes the most professionally made screen fabrics to reflect the truest, most vivid and dynamic images



Viewing angle for Matte White fabric is 160 degrees at 1.0 gain



PANOVIEW EGA

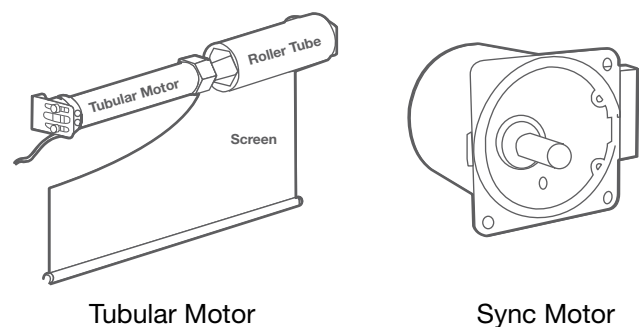
One of the only screens on the market that has a built in IR Remote control. The screens aluminum casing also has an over-ride switch located at the end of the case. Depending on installation, both the built-in I/R and external infrared remote systems can be used.

Tubular motors are known to be stable, and smooth. Raise and lower your projection screen smoothly and precisely with the touch of a button. The tubular motor is the heart of this motorized projection screen and will give you years of reliable and trouble-free operation.

EGA screens feature one of the best mounting systems on the market. The floating L-bracket design allows for horizontal adjustments and therefore the brackets can be fixed at any preferred point on the screen casing. Tightening screens ensure the screen remains locked and secure.

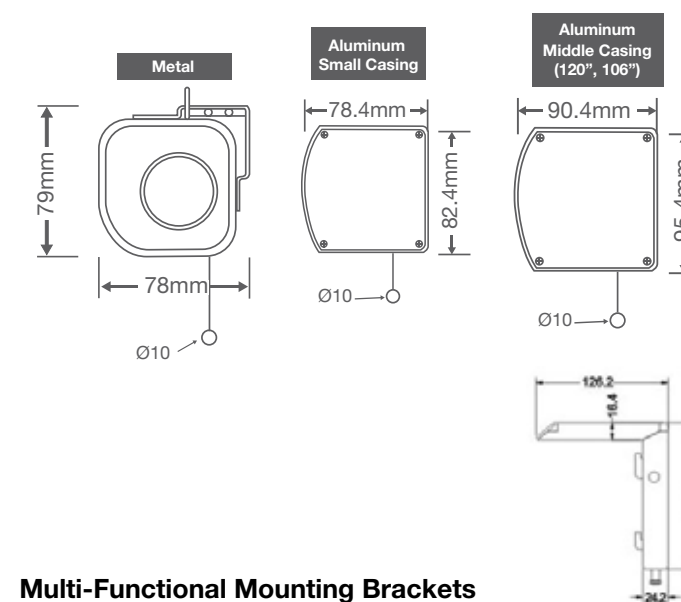
Tubular Motor

Durable, safe and convenient, the Tubular Motor provides powerful torque in addition to smooth, quiet and reliable operation.



Wired Manual Control Unit

Providing the same manual functionality as the central control but without the RS232 option, this unit plugs directly into the screen's integrated control interface.



Multi-Functional Mounting Brackets



The floating L-bracket design allows for horizontal adjustments and therefore the brackets can be fixed at any preferred point on the screen casing.

Panoview Integrated Control System

Panoview's integrated control system includes an in-line switch, built in remote control system, 12v trigger, RS232, and external infrared receiver. This all-in-one integrated system ensures a screen that is suited for the most demanding of applications.

