

PCS055-150-1

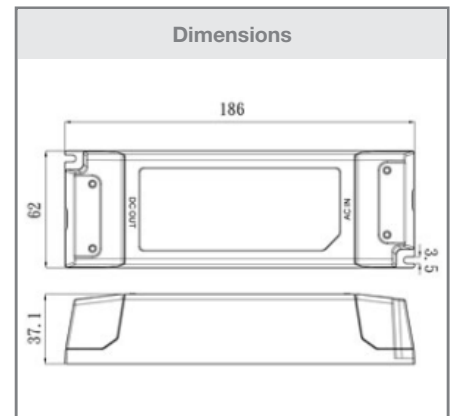
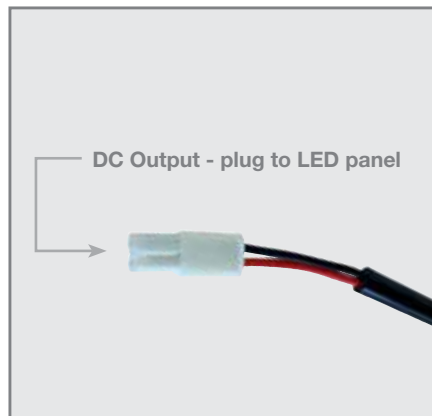
LED driver



- Constant current
- Suitable for Optoma LED panels

Length x width x height	186 x 62 x 37.1mm
Case	Plastic
Weight	360g
Wire install	Pre-wired

- Independent LED driver
- Long life
- Class 2 power supply
- Fully isolated plastic case
- 100% full load burn-in test
- Universal AC input to 264Vac



Model name / part number	LED driver: PCS055-150-1	
Power rating	55 watts	
AC input voltage	100VAC ~ 277VAC	
DC Output voltage	24V ~36V	
DC Output current	Constant current : 1500mA	
Tolerance	± 5%	
Inrush current	<70AMP –peak at full load and 25°C ambient cold start	
R&N (Vpeak – peak)	3V	
Efficiency	88%	
Protection	OPP / OVP / SCP auto - recovery	
Power factor	0.9 +	
Supporting surface material	Plastic	
Class	SELV	
IP rating - panel only	IP20	
Typical ambient operating temperature	-20°C ~ +45°C	
Maximum operating temperature	45°C	
Lifetime	>43,000 hours	
Suitable for Optoma LED panels	FP6060 (WNC) 055 -1	FP3012 (WNC) 055 -1

